

PARTS LIST

CAUTION

- The parts identified by the \triangle symbol are important for the safety. Whenever replacing these parts, be sure to use specified ones to secure the safety.
- The parts not indicated in this Parts List and those which are filled with lines — in the Parts No. columns will not be supplied.
- P. W. Board Ass'y will not be supplied, but those which are filled with the Parts No. in the Parts No. columns will be supplied.

ABBREVIATIONS OF RESISTORS, CAPACITORS AND TOLERANCES

RESISTORS		CAPACITORS	
C R	Carbon Resistor	C CAP.	Ceramic Capacitor
F R	Fusible Resistor	E CAP.	Electrolytic Capacitor
P R	Plate Resistor	M CAP.	Mylar Capacitor
V R	Variable Resistor	HV CAP.	High Voltage Capacitor
HV R	High Voltage Resistor	MF CAP.	Metalized Film Capacitor
MF R	Metal Film Resistor	MM CAP.	Metalized Mylar Capacitor
MG R	Metal Glazed Resistor	MP CAP.	Metalized Polystyrol Capacitor
MP R	Metal Plate Resistor	PP CAP.	Polypropylene Capacitor
OM R	Metal Oxide Film Resistor	PS CAP.	Polystyrol Capacitor
CMF R	Coating Metal Film Resistor	TF CAP.	Thin Film Capacitor
UNF R	Non-Flammable Resistor	MPP CAP.	Metalized Polypropylene Capacitor
CH V R	Chip Variable Resistor	TAN. CAP.	Tantalum Capacitor
CH MG R	Chip Metal Glazed Resistor	CH C CAP.	Chip Ceramic Capacitor
COMP. R	Composition Resistor	BP E CAP.	Bi-Polar Electrolytic Capacitor
LPTC R	Linear Positive Temperature Coefficient Resistor	CH AL E CAP.	Chip Aluminum Electrolytic Capacitor
NETW R	Network Resistor	CH AL BP CAP.	Chip Aluminum Bi-Polar Capacitor
		CH TAN. E CAP.	Chip Tantalum Electrolytic Capacitor
		CH AL BP E CAP.	Chip Tantalum Bi-Polar Electrolytic Capacitor

TOLERANCES									
F	G	J	K	M	N	R	H	Z	P
±1%	±2%	±5%	±10%	±20%	±30%	+30%	+50%	+80%	+100%
						-10%	-10%	-20%	-0%

CONTENTS

■ P.W. BOARD	28
■ EXPLODED VIEW PARTS LIST	28
■ EXPLODED VIEW	29
■ PRINTED WIRING BOARD PARTS LIST	
● MAIN PW BOARD ASS'Y	30
■ PACKING	34
■ PACKING PARTS LIST	34
■ REMOTE CONTROL UNIT PARTS LIST	34

P.W. BOARD

P.W.B. ASS'Y	Part No.
MAIN P.W.B.	SCG-1262A-H2

EXPLODED VIEW PARTS LIST

△ Ref.No.	Part No.	Part Name	Description	Local
△ V01	A34JXV80X	PICTURE TUBE		
△ L01	CELD025-005J6	DEGAUSSING COIL		
DY01	CE20301-00A	DEF YOKE		
△ T1522	QQH0071-001	H.V. TRANSF.		
1	LC10164-020A-H	FRONT CABINET		
2	A48457-3-H	SPRING		
3	CHGB0016-0A	BRAIDED ASSY		
4	CE40305-00B	PC MAGNET		
5	CE42153-00AJ1	WEDGE ASSY	(x3)	
6	QAS0016-001	SPEAKER	SP01	
7	LC30345-001A-H	SP HOLDER		
8	LC30347-003A-H	CONTROL KNOB		
9	LC30346-001B-H	REMOCON LENS		
10	LC30348-003A-H	POWER KNOB		
11	CM48144-002-H	PB STOPPER		
△ 12	CM47005-A01-H	CORD CLAMP		
△ 13	QMP40D0-200J5	POWER CORD	or QMP40D0-200J3	
△ 14	LC10165-001C-H	REAR COVER		
△ 15	LC20377-010B-H	RATING LABEL		
16	QYSBSF3010Z	TAPPING SCREW		
17	QYSBSFG4016Z	TAPPING SCREW	(x5)	

PRINTED WIRING BOARD PARTS LIST

MAIN P.W. BOARD ASS'Y (SCG-1262A-H2)

△ Symbol No.	Part No.	Part Name	Description	Local	△ Symbol No.	Part No.	Part Name	Description	Local
RESISTOR					RESISTOR				
R1002	NRSA63J-221X	CH MG R	220Ω 1/16W	J	R1453	NRSA02J-272X	CH MG R	2.7kΩ 1/10W	J
R1003	NRSA63J-221X	CH MG R	220Ω 1/16W	J	R1501	QRE121J-101Y	C R	100Ω 1/2W	J
R1004	NRSA63J-563X	CH MG R	56kΩ 1/16W	J	R1502	NRSA63J-0ROX	CH MG R	0.0Ω 1/16W	J
R1102	NRSA63J-750X	CH MG R	75Ω 1/16W	J	R1503	NRSA63J-682X	CH MG R	6.8kΩ 1/16W	J
R1103	NRSA63J-100X	CH MG R	10Ω 1/16W	J	R1521	NRSA63J-681X	CH MG R	680Ω 1/16W	J
R1109	NRSA63J-682X	CH MG R	6.8kΩ 1/16W	J	R1522	NRSA63J-103X	CH MG R	10kΩ 1/16W	J
R1110	NRSA63J-272X	CH MG R	2.7kΩ 1/16W	J	R1524	QRL03EJ-680X	OM R	68Ω 3W	J
R1111	NRSA02J-181X	CH MG R	180Ω 1/10W	J	R1526	QRE121J-270Y	C R	27Ω 1/2W	J
R1112	NRSA63J-100X	CH MG R	10Ω 1/16W	J	R1529	QRG029J-820	OM R	82Ω 2W	J
R1113	NRSA63J-101X	CH MG R	100Ω 1/16W	J	R1531	NRSA63J-472X	CH MG R	4.7kΩ 1/16W	J
R1114	NRSA63J-472X	CH MG R	4.7kΩ 1/16W	J	R1533	NRSA63J-332X	CH MG R	3.3kΩ 1/16W	J
R1115	NRSA63J-222X	CH MG R	2.2kΩ 1/16W	J	R1534	NRSA63J-332X	CH MG R	3.3kΩ 1/16W	J
R1117	NRSA63J-0ROX	CH MG R	0.0Ω 1/16W	J	R1551	QRX016J-1R0	MF R	1.0Ω 1W	J
R1118	NRSA63J-222X	CH MG R	2.2kΩ 1/16W	J	R1552	QRJ146J-2R2X	C R	2.2Ω 1/4W	J
R1120	NRSA63J-391X	CH MG R	390Ω 1/16W	J	R1554	QRE121J-182Y	C R	1.8kΩ 1/2W	J
R1121	NRSA63J-221X	CH MG R	220Ω 1/16W	J	R1571	QRE121J-272Y	C R	2.7kΩ 1/2W	J
R1159	NRSA02J-184X	CH MG R	180kΩ 1/10W	J	R1573	QRT02EJ-2R2X	MF R	2.2Ω 2W	J
R1301	NRSA63J-221X	CH MG R	220Ω 1/16W	J	R1574	QRT02EJ-2R2X	MF R	2.2Ω 2W	J
R1302	NRSA63J-472X	CH MG R	4.7kΩ 1/16W	J	R1576	QRE121J-223Y	C R	22kΩ 1/2W	J
R1303	NRSA63J-101X	CH MG R	100Ω 1/16W	J	R1577	NRSA63J-562X	CH MG R	5.6kΩ 1/16W	J
R1304	NRSA63J-101X	CH MG R	100Ω 1/16W	J	R1578	NRSA63J-103X	CH MG R	10kΩ 1/16W	J
R1305	NRSA63J-101X	CH MG R	100Ω 1/16W	J	R1581	QRE121J-182Y	C R	1.8kΩ 1/2W	J
R1306	NRSA63J-221X	CH MG R	220Ω 1/16W	J	R1582	NRSA63J-273X	CH MG R	27kΩ 1/16W	J
R1307	NRSA63J-122X	CH MG R	1.2kΩ 1/16W	J	R1583	NRSA63J-393X	CH MG R	39kΩ 1/16W	J
R1308	NRSA63J-182X	CH MG R	1.8kΩ 1/16W	J	R1651	NRSA63J-103X	CH MG R	10kΩ 1/16W	J
R1312	NRSA63J-0ROX	CH MG R	0.0Ω 1/16W	J	R1652	NRSA63J-680X	CH MG R	68Ω 1/16W	J
R1313	NRSA63J-102X	CH MG R	1kΩ 1/16W	J	R1653	QRE121J-1R0Y	C R	1.0kΩ 1/2W	J
R1314	NRSA02J-102X	CH MG R	1kΩ 1/10W	J	R1654	QRX029J-4R7	OM R	4.7Ω 2W	J
R1321	NRSA63J-152X	CH MG R	1.5kΩ 1/16W	J	R1656	NRSA63J-123X	CH MG R	12kΩ 1/16W	J
R1322	NRSA63J-272X	CH MG R	2.7kΩ 1/16W	J	R1657	NRSA63J-391X	CH MG R	390Ω 1/16W	J
R1323	NRSA63J-103X	CH MG R	10kΩ 1/16W	J	R1658	NRSA63J-102X	CH MG R	1kΩ 1/16W	J
R1324	NRSA63J-102X	CH MG R	1kΩ 1/16W	J	R1659	NRSA63J-102X	CH MG R	1kΩ 1/16W	J
R1326	NRSA63J-101X	CH MG R	100Ω 1/16W	J	R1660	NRSA63J-103X	CH MG R	10kΩ 1/16W	J
R1327	NRSA02J-475X	CH MG R	4.7MΩ 1/10W	J	R1661	QRE121J-271Y	C R	270Ω 1/2W	J
R1341	NRSA63J-332X	CH MG R	3.3kΩ 1/16W	J	R1662	QRE121J-271Y	C R	270Ω 1/2W	J
R1345	NRSA63J-151X	CH MG R	150Ω 1/16W	J	R1664	NRSA63J-221X	CH MG R	220Ω 1/16W	J
R1346	NRSA63J-151X	CH MG R	150Ω 1/16W	J	R1665	NRSA63J-103X	CH MG R	10kΩ 1/16W	J
R1353	NRSA63J-151X	CH MG R	150Ω 1/16W	J	R1704	NRSA63J-221X	CH MG R	220Ω 1/16W	J
R1354	NRSA02J-331X	CH MG R	330Ω 1/10W	J	R1705	NRSA63J-221X	CH MG R	220Ω 1/16W	J
R1355	NRSA02J-331X	CH MG R	330Ω 1/10W	J	R1706	NRSA63J-561X	CH MG R	560Ω 1/16W	J
R1356	NRSA02J-331X	CH MG R	330Ω 1/10W	J	R1707	NRSA63J-561X	CH MG R	560Ω 1/16W	J
R1357	NRSA63J-101X	CH MG R	100Ω 1/16W	J	R1708	NRSA63J-102X	CH MG R	1kΩ 1/16W	J
R1358	NRSA63J-101X	CH MG R	100Ω 1/16W	J	R1709	NRSA63J-472X	CH MG R	4.7kΩ 1/16W	J
R1359	NRSA63J-101X	CH MG R	100Ω 1/16W	J	R1710	NRSA63J-472X	CH MG R	4.7kΩ 1/16W	J
R1360	QRZ0107-152Z	C R	1.5kΩ 1/2W	K	R1711	NRSA63J-472X	CH MG R	4.7kΩ 1/16W	J
R1361	QRZ0107-152Z	C R	1.5kΩ 1/2W	K	R1712	NRSA63J-472X	CH MG R	4.7kΩ 1/16W	J
R1362	QRZ0107-152Z	C R	1.5kΩ 1/2W	K	R1713	NRSA63J-472X	CH MG R	4.7kΩ 1/16W	J
R1363	QRL029J-123	OM R	12kΩ 2W	J	R1714	NRSA63J-472X	CH MG R	4.7kΩ 1/16W	J
R1364	QRL029J-123	OM R	12kΩ 2W	J	R1715	NRSA63J-221X	CH MG R	220Ω 1/16W	J
R1365	QRL029J-123	OM R	12kΩ 2W	J	R1716	NRSA63J-221X	CH MG R	220Ω 1/16W	J
R1366	NRSA63J-182X	CH MG R	1.8kΩ 1/16W	J	R1718	NRSA63J-561X	CH MG R	560Ω 1/16W	J
R1367	NRSA63J-182X	CH MG R	1.8kΩ 1/16W	J	R1719	NRSA63J-102X	CH MG R	1kΩ 1/16W	J
R1368	NRSA63J-182X	CH MG R	1.8kΩ 1/16W	J	R1720	NRSA63J-472X	CH MG R	4.7kΩ 1/16W	J
R1369	QRE121J-394Y	C R	390kΩ 1/2W	J	R1721	NRSA63J-103X	CH MG R	10kΩ 1/16W	J
R1372	NRSA63J-0ROX	CH MG R	0.0Ω 1/16W	J	△ R1723	QRZ9023-270	F R	27Ω 2W	J
R1374	NRSA63J-392X	CH MG R	3.9kΩ 1/16W	J	R1724	NRSA63J-561X	CH MG R	560Ω 1/16W	J
R1401	NRSA63J-103X	CH MG R	10kΩ 1/16W	J	R1725	NRSA63J-102X	CH MG R	1kΩ 1/16W	J
R1421	NRSA63J-122X	CH MG R	1.2kΩ 1/16W	J	R1726	NRSA63J-472X	CH MG R	4.7kΩ 1/16W	J
R1422	NRSA63J-122X	CH MG R	1.2kΩ 1/16W	J	R1727	NRSA63J-153X	CH MG R	15kΩ 1/16W	J
R1423	NRSA63J-331X	CH MG R	330Ω 1/16W	J	R1728	NRSA63J-102X	CH MG R	1kΩ 1/16W	J
R1424	NRSA63J-101X	CH MG R	100Ω 1/16W	J	R1729	NRSA63J-102X	CH MG R	1kΩ 1/16W	J
R1425	NRSA63J-471X	CH MG R	470Ω 1/16W	J	R1730	NRSA63J-103X	CH MG R	10kΩ 1/16W	J
R1426	NRSA63J-0ROX	CH MG R	0.0Ω 1/16W	J	R1731	NRSA63J-472X	CH MG R	4.7kΩ 1/16W	J
R1429	NRSA63J-103X	CH MG R	10kΩ 1/16W	J	R1735	NRSA63J-391X	CH MG R	390Ω 1/16W	J
R1430	NRSA63J-823X	CH MG R	82kΩ 1/16W	J	R1736	NRSA63J-823X	CH MG R	82kΩ 1/16W	J
R1431	NRSA02J-103X	CH MG R	10kΩ 1/10W	J	R1737	NRSA63J-104X	CH MG R	100kΩ 1/16W	J
R1432	QRE121J-3R9Y	C R	3.9Ω 1/2W	J	R1738	NRSA63J-103X	CH MG R	10kΩ 1/16W	J
R1433	QRE121J-3R9Y	C R	3.9Ω 1/2W	J	R1739	NRSA63J-103X	CH MG R	10kΩ 1/16W	J
R1436	NRSA63J-823X	CH MG R	82kΩ 1/16W	J	R1740	NRSA63J-392X	CH MG R	3.9kΩ 1/16W	J
R1440	QRE121J-561Y	C R	560Ω 1/2W	J	R1741	NRSA63J-561X	CH MG R	560Ω 1/16W	J
R1441	NRSA02J-822X	CH MG R	8.2kΩ 1/10W	J	R1742	NRSA63J-563X	CH MG R	56kΩ 1/16W	J
R1442	NRSA02J-103X	CH MG R	10kΩ 1/10W	J	R1746	NRSA63J-103X	CH MG R	10kΩ 1/16W	J
R1443	QRE121J-1R0Y	C R	1.0kΩ 1/2W	J	R1747	NRSA63J-0ROX	CH MG R	0.0Ω 1/16W	J

Symbol No.	Part No.	Part Name	Description	Local
RESISTOR				
R1748	NRSA63J-103X	CH MG R	10kΩ 1/16W J	
R1749	NRSA63J-472X	CH MG R	4.7kΩ 1/16W J	
R1750	NRSA63J-333X	CH MG R	33kΩ 1/16W J	
R1791	NRSA63J-221X	CH MG R	220Ω 1/16W J	
R1792	NRSA63J-221X	CH MG R	220Ω 1/16W J	
R1793	NRSA63J-221X	CH MG R	220Ω 1/16W J	
R1794	NRSA63J-221X	CH MG R	220Ω 1/16W J	
R1795	NRSA63J-221X	CH MG R	220Ω 1/16W J	
R1796	NRSA63J-103X	CH MG R	10kΩ 1/16W J	
R1797	NRSA63J-153X	CH MG R	15kΩ 1/16W J	
R1802	NRSA02J-750X	CH MG R	75Ω 1/10W J	
R1806	QRE121J-271Y	C R	270Ω 1/2W J	
R1807	NRSA02J-680X	CH MG R	68Ω 1/10W J	
R1810	QRG01GJ-560	OM R	56Ω 1W J	
R1811	NRSA63J-221X	CH MG R	220Ω 1/16W J	
R1815	QRE121J-181Y	C R	180Ω 1/2W J	
R1816	NRSA63J-681X	CH MG R	680Ω 1/16W J	
R1817	NRSA63J-472X	CH MG R	4.7kΩ 1/16W J	
R1901	QRF074K-4R7	UNF R	4.7Ω 7W K	
R1903	QRL02EJ-683X	OM R	68kΩ 2W J	
R1921	QRE121J-681Y	C R	680Ω 1/2W J	
R1922	QRT029J-1R2	MF R	1.2Ω 2W J	
R1923	QRMO59J-R22	MP R	0.22Ω 5W J	
R1926	NRSA02J-222X	CH MG R	2.2kΩ 1/10W J	
R1928	QRL03EJ-563X	OM R	56kΩ 3W J	
R1929	QRE121J-822Y	C R	8.2kΩ 1/2W J	
R1932	QRE121J-564Y	C R	560kΩ 1/2W J	
R1933	QRE121J-220Y	C R	22Ω 1/2W J	
R1934	NRSA63J-333X	CH MG R	33kΩ 1/16W J	
R1936	QRG01GJ-561	OM R	560Ω 1W J	
R1941	QRE121J-821Y	C R	820Ω 1/2W J	
R1942	NRSA63J-122X	CH MG R	1.2kΩ 1/16W J	
R1943	NRSA63J-473X	CH MG R	47kΩ 1/16W J	
R1944	NRSA63J-103X	CH MG R	10kΩ 1/16W J	
R1974	NRSA63J-222X	CH MG R	2.2kΩ 1/16W J	
R1976	NRSA63J-102X	CH MG R	1kΩ 1/16W J	
R1977	QRE121J-122Y	C R	1.2kΩ 1/2W J	
R1978	NRSA63J-473X	CH MG R	47kΩ 1/16W J	
R1979	QRT02EJ-1R2X	MF R	1.2Ω 2W J	
R1980	QRL02EJ-103X	OM R	10kΩ 2W J	
R1985	QRE121J-330Y	C R	33Ω 1/2W J	
R1986	NRSA63J-682X	CH MG R	6.8kΩ 1/16W J	
R1987	NRSA63J-473X	CH MG R	47kΩ 1/16W J	
R1988	NRSA63J-182X	CH MG R	1.8kΩ 1/16W J	
R1991	QRZ0057-825	C R	8.2MΩ 1W J	

CAPACITOR

C1001	QETN1HM-106Z	E CAP.	10μF 50V M
C1002	NCB31HK-103X	CH C CAP.	0.01μF 50V K
C1004	QETN1CM-227Z	E CAP.	220μF 16V M
C1005	QFV71HJ-104Z	TF CAP.	0.1μF 50V J
C1008	QETN1HM-475Z	E CAP.	4.7μF 50V M
C1103	QETN1EM-476Z	E CAP.	47μF 25V M
C1104	NCB31HK-472X	CH C CAP.	4700pF 50V K
C1105	NCB31HK-472X	CH C CAP.	4700pF 50V K
C1106	NCB31HK-472X	CH C CAP.	4700pF 50V K
C1107	NCB31HK-472X	CH C CAP.	4700pF 50V K
C1109	NCB31HK-472X	CH C CAP.	4700pF 50V K
C1110	NRSA63J-0R0X	CH MG R	0.0Ω 1/16W J
C1112	QETN1EM-476Z	E CAP.	47μF 25V M
C1113	NCB31HK-472X	CH C CAP.	4700pF 50V K
C1115	NCB31HK-103X	CH C CAP.	0.01μF 50V K
C1116	NCB31HK-103X	CH C CAP.	0.01μF 50V K
C1117	QFV71HJ-224Z	TF CAP.	0.22μF 50V J
C1119	QETN1HM-474Z	E CAP.	0.47μF 50V M
C1120	NDC31HJ-121X	CH C CAP.	120pF 50V J
C1121	NCB31HK-103X	CH C CAP.	0.01μF 50V K
C1122	NCB31HK-103X	CH C CAP.	0.01μF 50V K
C1162	NCB31HK-102X	CH C CAP.	1000pF 50V K
C1301	NCB21HK-123X	CH C CAP.	0.012μF 50V K
C1302	QETN1HM-475Z	E CAP.	4.7μF 50V M
C1303	NDC31HJ-100X	CH C CAP.	10pF 50V J
C1304	QFV71HJ-474Z	TF CAP.	0.47μF 50V J
C1305	QETN1HM-474Z	E CAP.	0.47μF 50V M

Symbol No.	Part No.	Part Name	Description	Local
CAPACITOR				
C1306	NCB31HK-103X	CH C CAP.	0.01μF 50V K	
C1307	QETN1CM-477Z	E CAP.	470μF 16V M	
C1308	QETN1CM-107Z	E CAP.	100μF 16V M	
C1309	NCB31HK-103X	CH C CAP.	0.01μF 50V K	
C1310	NDC31HJ-221X	CH C CAP.	220pF 50V J	
C1311	NCB31HK-103X	CH C CAP.	0.01μF 50V K	
C1312	QENC1HM-474Z	BP E CAP.	0.47μF 50V M	
C1313	QETN1HM-335Z	E CAP.	3.3μF 50V M	
C1314	NCB31HK-103X	CH C CAP.	0.01μF 50V K	
C1315	QETN1CM-107Z	E CAP.	100μF 16V M	
C1316	QETN1HM-106Z	E CAP.	10μF 50V M	
C1317	NCB31EK-473X	CH C CAP.	0.047μF 25V K	
C1321	NDC31HJ-120X	CH C CAP.	12pF 50V J	
C1322	NCB21HK-273X	CH C CAP.	0.027μF 50V K	
C1323	QETN1HM-474Z	E CAP.	0.47μF 50V M	
C1324	QETN1HM-106Z	E CAP.	10μF 50V M	
C1325	QENC1HM-106Z	BP E CAP.	10μF 50V M	
C1326	NCS21HJ-221X	CH C CAP.	220pF 50V J	
C1341	QETN1HM-106Z	E CAP.	10μF 50V M	
C1352	QFZ0097-103	MM CAP.	0.01μF 1250V K	
C1354	NDC31HJ-271X	CH C CAP.	270pF 50V J	
C1355	NDC31HJ-221X	CH C CAP.	220pF 50V J	
C1356	NDC31HJ-331X	CH C CAP.	330pF 50V J	
C1357	QETN1AM-477Z	E CAP.	470μF 10V M	
C1365	QENC1HM-105Z	BP E CAP.	1μF 50V M	
C1366	QENC1HM-105Z	BP E CAP.	1μF 50V M	
C1367	QENC1HM-105Z	BP E CAP.	1μF 50V M	
C1401	QFV71HJ-474Z	TF CAP.	0.47μF 50V J	
C1402	QFV71HJ-104Z	TF CAP.	0.1μF 50V J	
C1422	QETN1HM-105Z	E CAP.	1μF 50V M	
C1423	QCS32HJ-100Z	C CAP.	10pF 500V J	
C1424	QFLC2AJ-103Z	M CAP.	0.01μF 100V J	
C1426	QFLC1HJ-103Z	M CAP.	0.01μF 50V J	
C1427	QETN1VM-107Z	E CAP.	100μF 35V M	
C1428	QEH1VM-107Z	E CAP.	100μF 35V M	
C1429	QETN1HM-106Z	E CAP.	10μF 50V M	
C1430	QFN32AJ-272Z	M CAP.	2700pF 100V J	
C1433	QEH1HM-475Z	E CAP.	4.7μF 50V M	
C1435	QETM1EM-228	E CAP.	2200μF 25V M	
C1436	QFV71HJ-334Z	TF CAP.	0.33μF 50V J	
C1501	QETN1HM-476Z	E CAP.	47μF 50V M	
C1502	NCB31HK-103X	CH C CAP.	0.01μF 50V K	
C1503	QETN1HM-106Z	E CAP.	10μF 50V M	
C1504	QETN1CM-227Z	E CAP.	220μF 16V M	
C1523	QTMN1VM-476Z	E CAP.	47μF 35V M	
C1525	QFZ0200-75Z	MPP CAP.	7500pF 1.5kVH ±3%	
C1526	QTMN1EM-337Z	E CAP.	330μF 25V M	
C1527	QFZ0199-514	MPP CAP.	0.51μF 250V J	
C1531	QEZ0203-107	E CAP.	100μF 160V M	
C1552	QETM1VM-108	E CAP.	1000μF 35V M	
C1554	QETN2EM-475Z	E CAP.	4.7μF 250V M	
C1555	QFLC2AJ-104Z	M CAP.	0.1μF 100V J	
C1571	QETN1AM-107Z	E CAP.	100μF 10V M	
C1572	QETN1EM-476Z	E CAP.	47μF 25V M	
C1581	QFV71HJ-104Z	TF CAP.	0.1μF 50V J	
C1582	QFZ0199-404	MPP CAP.	0.4μF 250V J	
C1651	QTNC1HM-105Z	BP E CAP.	1μF 50V M	
C1652	QEH1HM-106Z	E CAP.	10μF 50V M	
C1653	QEH1CM-107Z	E CAP.	100μF 16V M	
C1654	NCB21HK-104X	CH C CAP.	0.1μF 50V K	
C1655	QEH1VM-228	E CAP.	2200μF 35V M	
C1656	QEH1EM-477Z	E CAP.	470μF 25V M	
C1657	NCB31HK-472X	CH C CAP.	4700pF 50V K	
C1658	QETN1HM-226Z	E CAP.	22μF 50V M	
C1659	QETN1CM-107Z	E CAP.	100μF 16V M	
C1663	QEH1HM-106Z	E CAP.	10μF 50V M	
C1664	NCB21HK-104X	CH C CAP.	0.1μF 50V K	
C1665	QEH1HM-105Z	E CAP.	1μF 50V M	
C1705	QETN1CM-477Z	E CAP.	470μF 16V M	
C1706	NCB21EK-104X	CH C CAP.	0.1μF 25V K	
C1707	NCB31HK-103X	CH C CAP.	0.01μF 50V K	
C1708	QETN1EM-476Z	E CAP.	47μF 25V M	
C1709	NCB31HK-103X	CH C CAP.	0.01μF 50V K	
C1710	QETN1CM-107Z	E CAP.	100μF 16V M	
C1711	NCB31HK-103X	CH C CAP.	0.01μF 50V K	
C1712	NCB31HK-103X	CH C CAP.	0.01μF 50V K	

Symbol No.	Part No.	Part Name	Description	Local
CAPACITOR				
C1713	NCB31HK-103X	CH C CAP.	0.01μF 50V	K
C1714	NDC31HJ-330X	CH C CAP.	33pF 50V	J
C1715	NDC31HJ-330X	CH C CAP.	33pF 50V	J
C1716	NDC31HJ-181X	CH C CAP.	180pF 50V	J
C1717	NDC31HJ-181X	CH C CAP.	180pF 50V	J
C1718	NCB31HK-103X	CH C CAP.	0.01μF 50V	K
C1719	QETN1HM-105Z	E CAP.	1μF 50V	M
C1720	NCB31HK-103X	CH C CAP.	0.01μF 50V	K
C1721	NCB21HK-333X	CH C CAP.	0.033μF 50V	K
C1722	NDC31HJ-101X	CH C CAP.	100pF 50V	J
C1728	NDC31HJ-181X	CH C CAP.	180pF 50V	J
C1729	NDC31HJ-181X	CH C CAP.	180pF 50V	J
C1730	NCB31HK-103X	CH C CAP.	0.01μF 50V	K
C1738	QETN1HM-226Z	E CAP.	22μF 50V	M
C1744	NCB31HK-103X	CH C CAP.	0.01μF 50V	K
C1805	QETN1CM-227Z	E CAP.	220μF 16V	M
C1806	QETN1CM-477Z	E CAP.	470μF 16V	M
C1811	QETN1HM-106Z	E CAP.	10μF 50V	M
C1841	NCB31HK-152X	CH C CAP.	1500pF 50V	K
△ C1901	QFZ9040-104	MF CAP.	0.1μF AC275V	M
C1904	QCZ9082-222Z	C CAP.	2200pF AC250V	M
C1905	QCZ9082-222Z	C CAP.	2200pF AC250V	M
C1907	QCZ9082-222Z	C CAP.	2200pF AC250V	M
C1909	QEZO199-127	E CAP.	120μF 400V	M
△ C1910	QFZ9040-473	MF CAP.	0.047μF AC275V	M
C1922	QFLC1HJ-471Z	M CAP.	470pF 50V	J
C1924	QETN1VM-107Z	E CAP.	100μF 35V	M
C1926	QFLC1HJ-332Z	M CAP.	3300pF 50V	J
C1928	NCB21HK-473X	CH C CAP.	0.047μF 50V	K
C1929	QFP32GJ-223Z	PP CAP.	0.022μF 400V	J
C1930	QCZ0325-561	C CAP.	560pF 2kV	K
C1931	QCZ0325-151	C CAP.	150pF 2kV	K
C1932	QCZ0325-151	C CAP.	150pF 2kV	K
C1941	QCZ0122-561	C CAP.	560pF 2kV	K
C1942	QEZO420-107	E CAP.	100μF 160V	M
C1945	QEHR1CM-108Z	E CAP.	1000μF 16V	M
C1946	QEHR1CM-477Z	E CAP.	470μF 16V	M
C1948	QEHR1VM-108Z	E CAP.	1000μF 35V	M
C1949	NDC31HJ-471X	CH C CAP.	470pF 50V	J
C1950	NCB21HK-104X	CH C CAP.	0.1μF 50V	K
C1971	QETN1HM-226Z	E CAP.	22μF 50V	M
C1972	QETN1CM-107Z	E CAP.	100μF 16V	M
C1976	QETN1HM-105Z	E CAP.	1μF 50V	M
C1977	QETN1CM-477Z	E CAP.	470μF 16V	M
C1978	QETN1CM-227Z	E CAP.	220μF 16V	M
C1979	QETN1CM-107Z	E CAP.	100μF 16V	M
△ C1991	QCZ9079-471	C CAP.	470pF AC250V	K
△ C1992	QCZ9079-471	C CAP.	470pF AC250V	K
△ C1993	QCZ9079-102	C CAP.	1000pF AC250V	K

TRANSFORMER

△ T1522	QQH0071-001	H.V. TRANSF.
△ T1921	QSQ0050-001	SW TRANSF.

COIL

L1001	QQL244K-8R2Z	PEAKING COIL	8.2μH	K
L1101	QQLZ014-2R2	PEAKING COIL	2.2μH	K
L1103	QQL244K-8R2Z	PEAKING COIL	8.2μH	K
L1351	QQL244K-470Z	PEAKING COIL	47μH	K
L1352	QQL244K-470Z	PEAKING COIL	47μH	K
L1353	QQL244K-470Z	PEAKING COIL	47μH	K
L1523	QQL342J-2R2Z	INDUCTOR	2.2μH	J
L1551	QQLZ018-670	HEATER CHOKE		
L1701	QQL39BK-5R6Z	PEAKING COIL	5.6μH	K
L1941	QQL26AK-820Z	CHOKE COIL	82μH	K
L1942	QQL26AK-820Z	CHOKE COIL	82μH	K
L1943	QQL26AK-820Z	CHOKE COIL	82μH	K

DIODE

D1001	MA3330/L/-X	CHIP ZENER DIODE
-------	-------------	------------------

Symbol No.	Part No.	Part Name	Description	Local
DIODE				
D1102	1SS85-T2	SI DIODE		
D1301	MA3091/M/-X	CHIP ZENER DIODE		
D1302	MA3091/M/-X	CHIP ZENER DIODE		
D1305	RB100A-T2	SI DIODE		
D1306	1SR124-400A-T2	SI DIODE		
D1341	MA111-X	CHIP DIODE		
D1342	MA111-X	CHIP DIODE		
D1351	MA3051/H/-X	CHIP ZENER DIODE		
D1352	MA3051/H/-X	CHIP ZENER DIODE		
D1353	MA3051/H/-X	CHIP ZENER DIODE		
D1354	MA111-X	CHIP DIODE		
D1355	MA111-X	CHIP DIODE		
D1356	MA111-X	CHIP DIODE		
D1421	MA3360/M/-X	CHIP ZENER DIODE		
D1422	MA3360/M/-X	CHIP ZENER DIODE		
D1423	1SR124-400A-T2	SI DIODE		
D1424	MA111-X	CHIP DIODE		
D1425	MA111-X	CHIP DIODE		
D1427	MA3270/H/-X	CHIP ZENER DIODE		
D1551	RGP10J-TS-T3	SI DIODE		
D1552	RGP10J-TS-T3	SI DIODE		
D1553	MA3091/M/-X	CHIP ZENER DIODE		
D1554	MA111-X	CHIP DIODE		
D1571	MA3075/M/-X	CHIP ZENER DIODE		
D1581	MA3200/M/-X	CHIP ZENER DIODE		
D1582	RGP10J-TS-T3	SI DIODE		
D1651	MA111-X	CHIP DIODE		
D1652	MA111-X	CHIP DIODE		
D1653	MA3180/M/-X	CHIP ZENER DIODE		
D1703	SPR-39MVWF	LED2 (G+R)		
D1706	MA111-X	CHIP DIODE		
D1707	MA111-X	CHIP DIODE		
D1731	MA111-X	CHIP DIODE		
D1901	G2SBA60	BRIDGE DIODE		
D1921	RGP10J-TS-T3	SI DIODE		
D1922	MA111-X	CHIP DIODE		
D1923	MA111-X	CHIP DIODE		
D1924	MA111-X	CHIP DIODE		
D1926	MA3056/M/-X	CHIP ZENER DIODE		
D1927	MA3068/M/-X	CHIP ZENER DIODE		
D1929	RD12E/B2/-T5	ZENER DIODE		
D1930	EG1A-T3	SI DIODE		
D1932	MA111-X	CHIP DIODE		
D1933	RD27E/B2/-T5	ZENER DIODE		
D1941	RU3AM-LFC4	SI DIODE		
D1942	RU3YX-LFC4	SI DIODE		
D1943	RGP10J-TS-T3	SI DIODE		
D1945	MA3075/H/-X	CHIP ZENER DIODE		
D1973	MA111-X	CHIP DIODE		
D1974	MA111-X	CHIP DIODE		
D1982	MA111-X	CHIP DIODE		
D1983	MA111-X	CHIP DIODE		

TRANSISTOR

Q1102	2SC5083/L-P/-T	SI TRANSISTOR		
Q1103	DTC124EKA-X	DIGI TRANSISTOR		
Q1301	2SA1037AK/QR/-X	SI TRANSISTOR		
Q1302	2SC2412K/QR/-X	CHIP TRANSISTOR		
Q1351	2SC4722/NP/	SI TRANSISTOR		
Q1352	2SC4722/NP/	SI TRANSISTOR		
Q1353	2SC4722/NP/	SI TRANSISTOR		
Q1401	DTC124ESA-T	DIGI TRANSISTOR		
Q1402	2SC2412K/QR/-X	CHIP TRANSISTOR		
Q1521	2SK3065-W	SI TRANSISTOR		
Q1522	2SC5388-CA	POWER TRANSISTOR		H. OUT
Q1523	2SC2412K/QR/-X	CHIP TRANSISTOR		
Q1524	2SC2412K/QR/-X	CHIP TRANSISTOR		
Q1571	2SA949/Y/Z1-T	SI TRANSISTOR		
Q1572	2SC2412K/QR/-X	CHIP TRANSISTOR		
Q1651	2SA1037AK/QR/-X	SI TRANSISTOR		
Q1652	DTC323TK-X	DIGI TRANSISTOR		
Q1654	2SC2412K/QR/-X	CHIP TRANSISTOR		
Q1655	2SC2412K/QR/-X	CHIP TRANSISTOR		
Q1702	2SC2412K/QR/-X	CHIP TRANSISTOR		

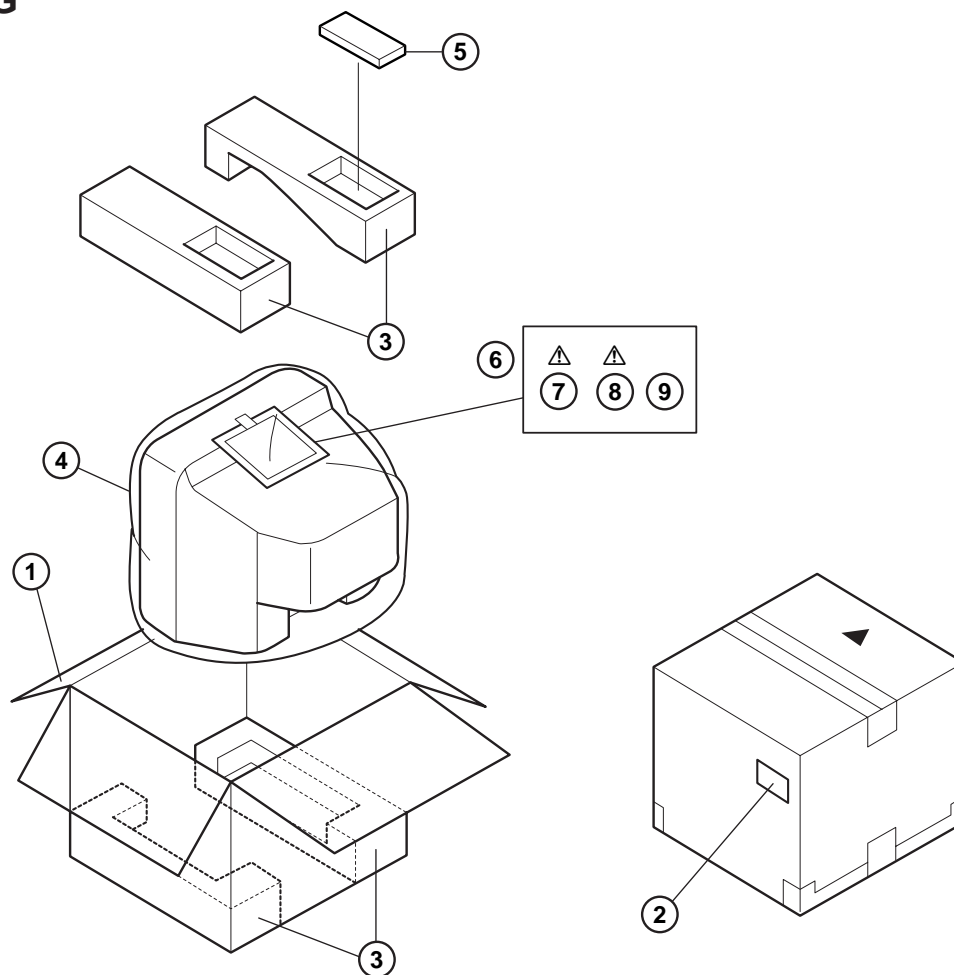
Symbol No.	Part No.	Part Name	Description	Local
TRANSISTOR				
Q1703	2SC2412K/QR/-X	CHIP TRANSISTOR		
Q1705	DTC124EKA-X	DIGI TRANSISTOR		
Q1706	DTC124EKA-X	DIGI TRANSISTOR		
Q1803	2SC1815/YG/-T	SI TRANSISTOR		
Q1804	2SC2412K/QR/-X	CHIP TRANSISTOR		
Q1941	2SC2412K/QR/-X	CHIP TRANSISTOR		
Q1943	DTC114EKA-X	CHIP TRANSISTOR		
Q1973	2SC2412K/QR/-X	CHIP TRANSISTOR		
Q1974	2SA966/OY/-T	SI TRANSISTOR		
Q1975	DTC124EKA-X	DIGI TRANSISTOR		

IC				
IC1301	NN5198K	IC		
IC1421	AN5539-LF	IC		
IC1651	LA4287	IC		
IC1652	SI-5001X-X	IC		
IC1701	MN1873287JA1	IC (MICROCOMPUTER)		
IC1702	AT24C08-21P7EE	IC (MEMORY)	(Service)	
IC1703	L78LR05E-MA	IC (5V REG/RESET)		
IC1704	PIC-28143SY	IR DETECT UNIT		
IC1921	STR-G6653	IC (SW REG)		
IC1941	SE115N-LF12	IC		
IC1971	BA51W125T-V5	IC (5V/9V REG)		

OTHERS				
	LC30349-001A-H	LED HOLDER		
△ CP1981	ICP-N75-Y	IC PROTECTOR		
△ CP1982	ICP-N75-Y	IC PROTECTOR		
△ F1901	QMF51E2-3R15J4	FUSE	3.15A	
FC1901	CEMG002-001Z	FUSE CLIP (x2)		
J1002	CEMN075-001	PIN JACK		
J1003	QNN0281-003	PIN JACK		
J1004	QNN0281-002	PIN JACK		
J1005	QMS3004-C01	HEADPHONE JACK		
K1001	QQR0621-002Z	BEADS CORE		
K1351	QQR0621-002Z	BEADS CORE		
K1421	QQR0582-001Z	BEADS CORE		
K1921	QQR1113-001Z	FERRITE BEADS		
K1922	QQR1113-001Z	FERRITE BEADS		
K1923	QQR1114-001Z	FERRITE BEADS		
K1924	QQR1113-001Z	FERRITE BEADS		
K1941	QQR1113-001Z	FERRITE BEADS		
K1942	QQR1113-001Z	FERRITE BEADS		
K1943	QQR1113-001Z	FERRITE BEADS		
△ LF1901	QQR0906-001	LINE FILTER		
△ PC1921	PC123F2	PHOTO COUPLER		
S1701	QSW0619-003Z	PUSH SWITCH	VOL+	
S1702	QSW0619-003Z	PUSH SWITCH	VOL-	
S1703	QSW0619-003Z	PUSH SWITCH	CH+	
S1704	QSW0619-003Z	PUSH SWITCH	CH-	
S1705	QSW0619-003Z	PUSH SWITCH	MENU	
△ S1901	QSW0750-001	PUSH SWITCH	POWER	
SF1102	QAX0594-001	SAW FILTER		
SF1122	QAX0325-001	SAW FILTER		
△ SK1351	CE42554-001	CRT SOCKET		
TH1901	QAD0101-9R0	P THERMISTOR		
TU1001	QAU0185-001	TUNER		
△ VA1901	ERZV10V621CS	VARISTOR		
X1301	QAX0500-001Z	CRYSTAL		
X1302	CE42690-001Z	CRYSTAL		
X1701	FCR12.0M2S	C RESONATOR		

Symbol No.	Part No.	Part Name	Description	Local
------------	----------	-----------	-------------	-------

PACKING



PACKING PARTS LIST

△ Ref.No.	Part No.	Part Name	Description	Local
1	GG10056-031A-H	PAKING CASE		
2	CM47385-00B-H	POS/SERIAL LABEL		
3	LC10166-002A-H	CUSHION ASSY	4 pcs. in 1 set	
4	CP30967-002-H	POLY BAG		
5	RM-C360-1H	REMOCON UNIT		
6	CP30966-001-H	POLY BAG		
△ 7	LCT0757-001A-H	INST BOOK		
△ 8	LCT0758-001A-H	DIGEST MANUAL		
9	CM36447-00A-H	ROD ANTENNA		

REMOTE CONTROL UNIT PARTS LIST (RM-C360-1H)

△ Ref.No.	Part No.	Part Name	Description	Local
	3139 224 20073	BATTERY COVER		

